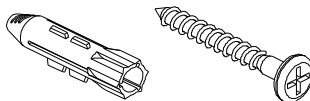
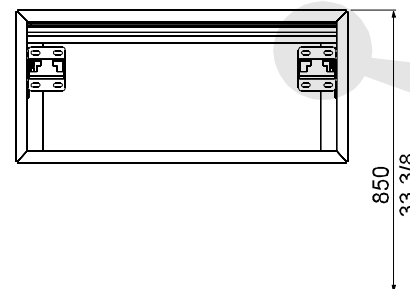


Kit de montaje

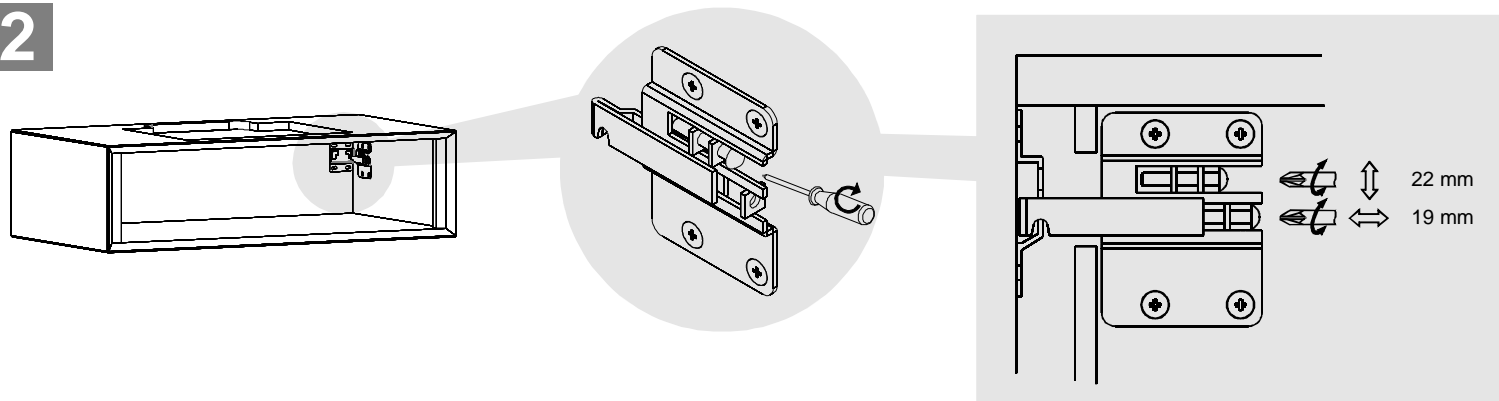
8x



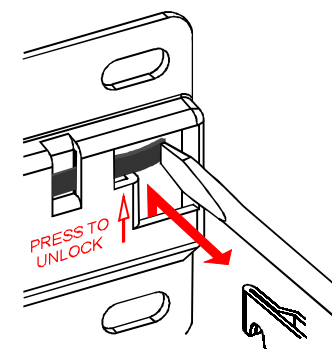
1



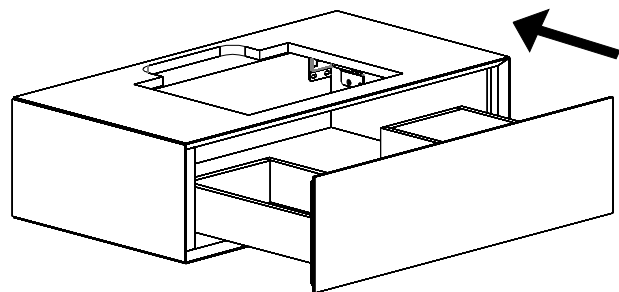
2



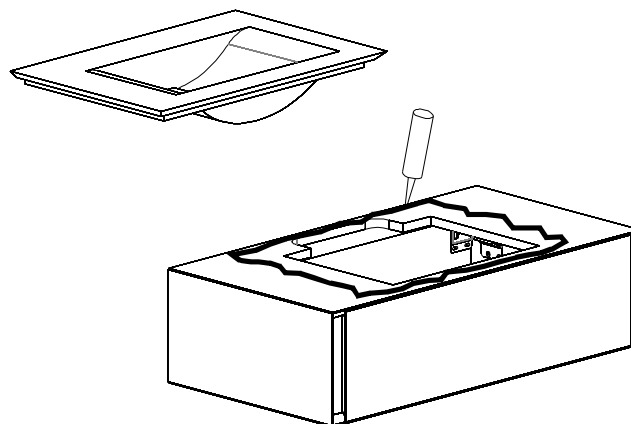
3



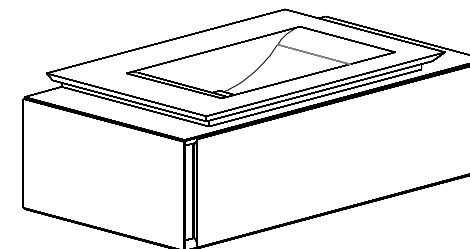
4

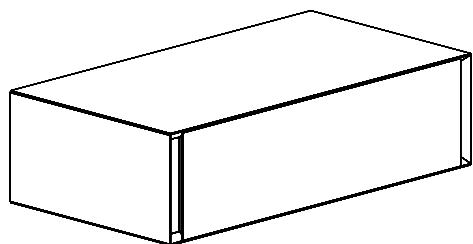


5



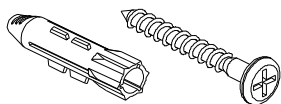
6



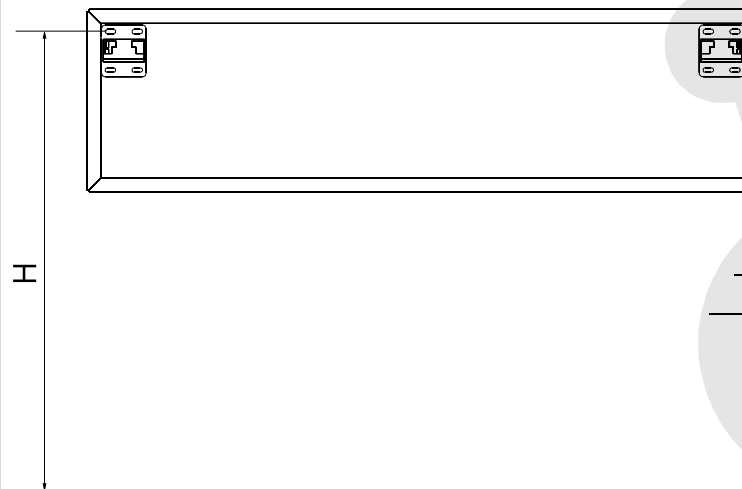


Kit de montaje

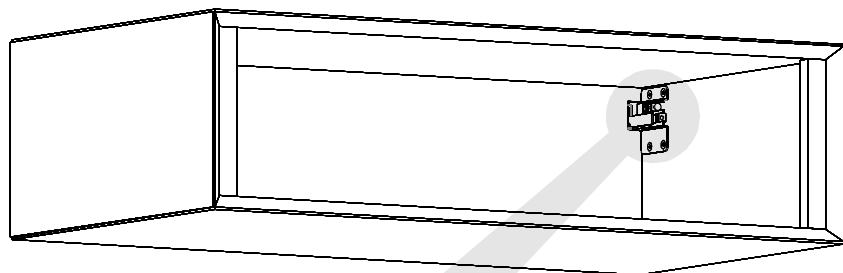
8x



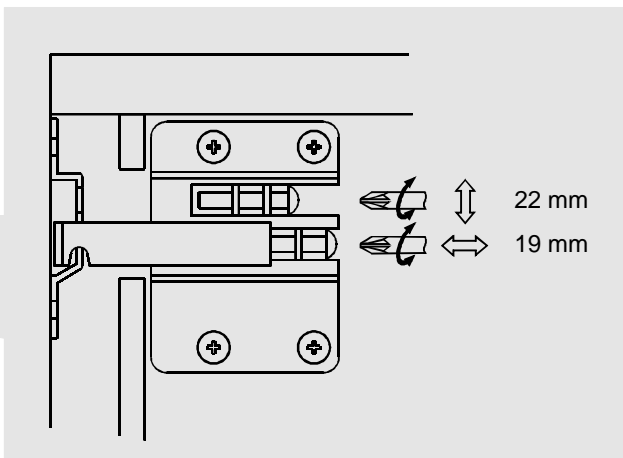
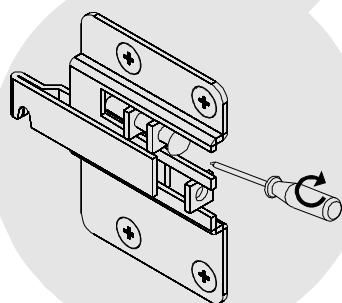
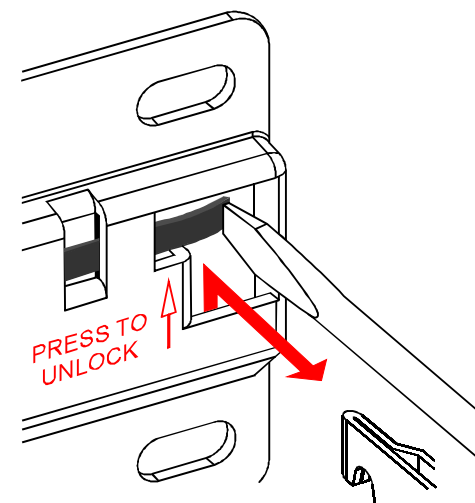
1



2

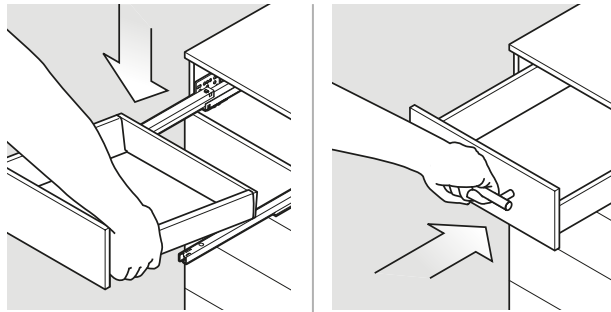


3



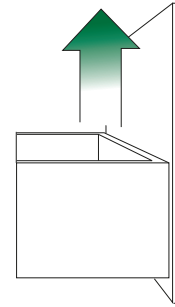
Inserting the drawer

Place drawer on extended Dynapro slide and push in until engages audibly

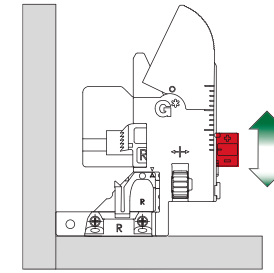


Height adjustment (max. +3.5 mm.)

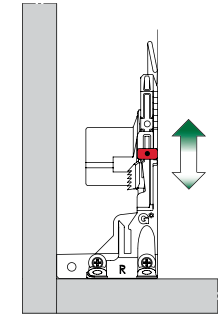
DynaPro



Front locking device



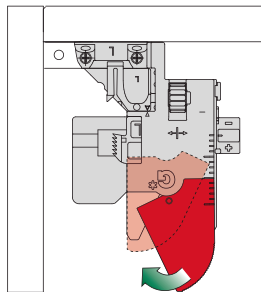
Narrow front locking device



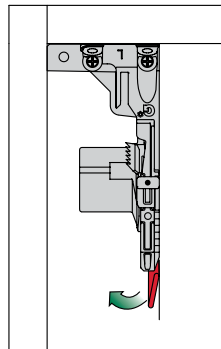
Disengaging the drawer

Pull the drawer out, squeeze the locking device levers and lift drawer from the slide.

Front locking device

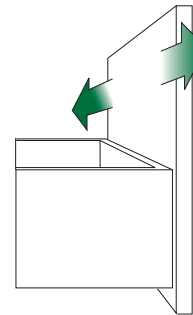


Narrow front locking device

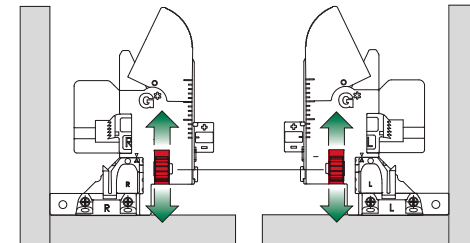


Side adjustment (max. ± 1.5 mm.)

DynaPro

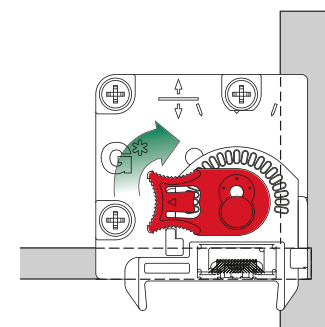
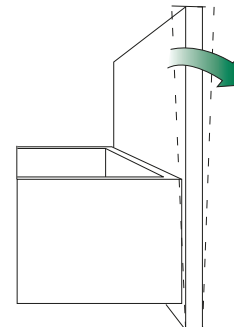


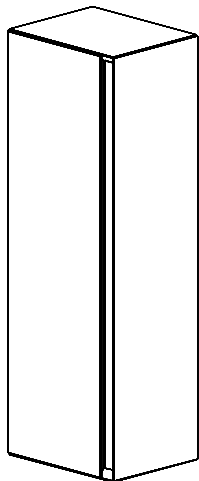
- 1 Adjust both wheels in the same direction
- For 3-D application only:
- 2 Disengage drawer
- 3 Re-attach drawer



Tilt adjustment (max. +1.5 mm.)

DynaPro





Kit de montaje

1x

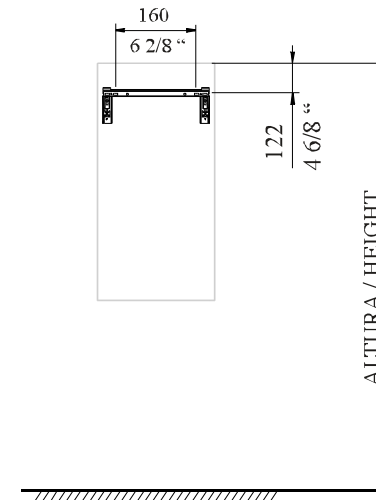
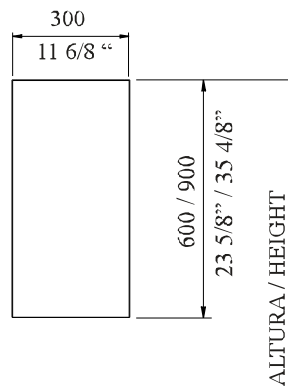


250

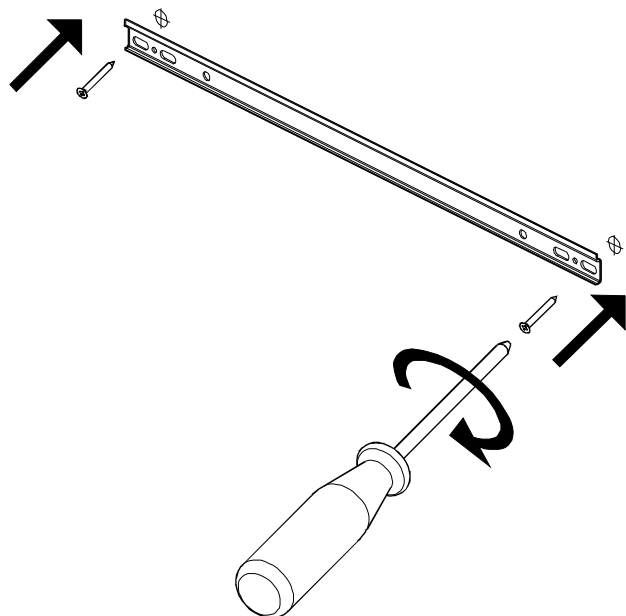
2x



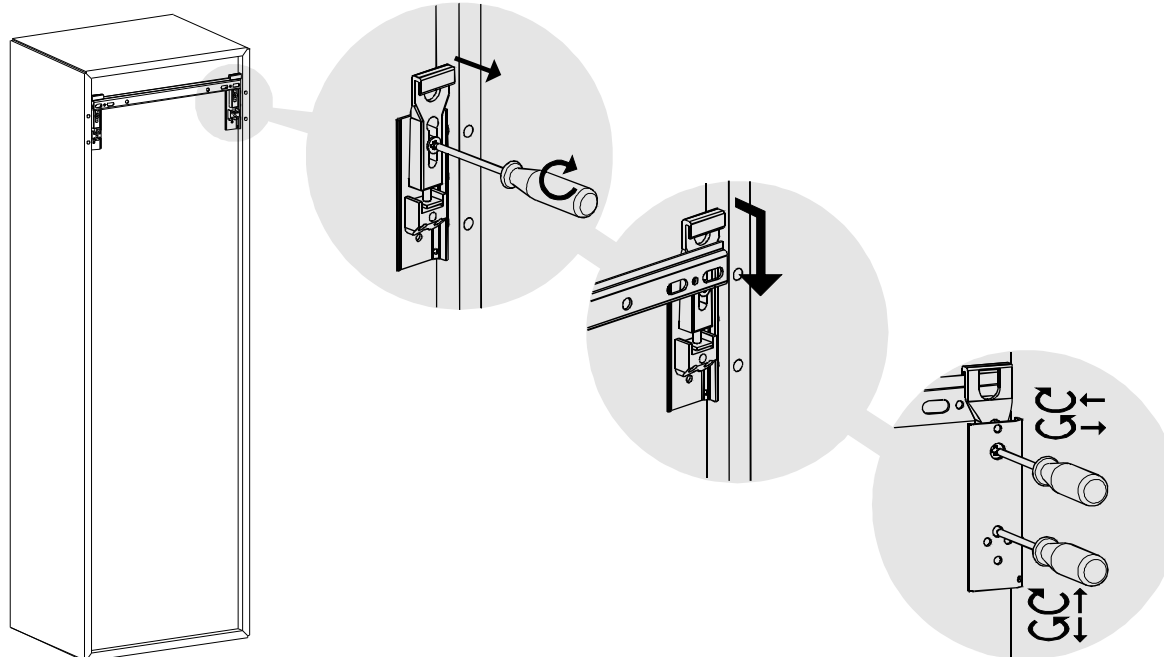
1



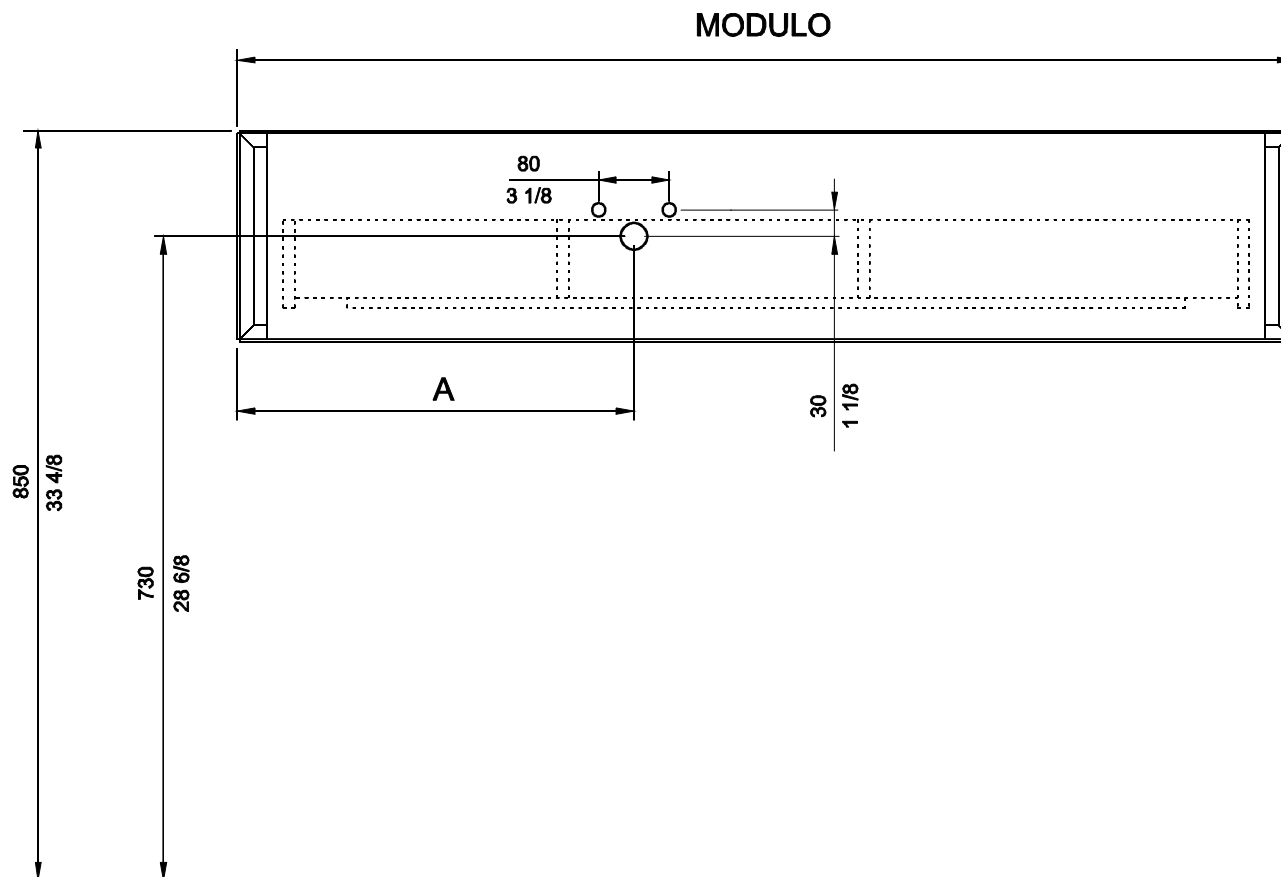
2



3

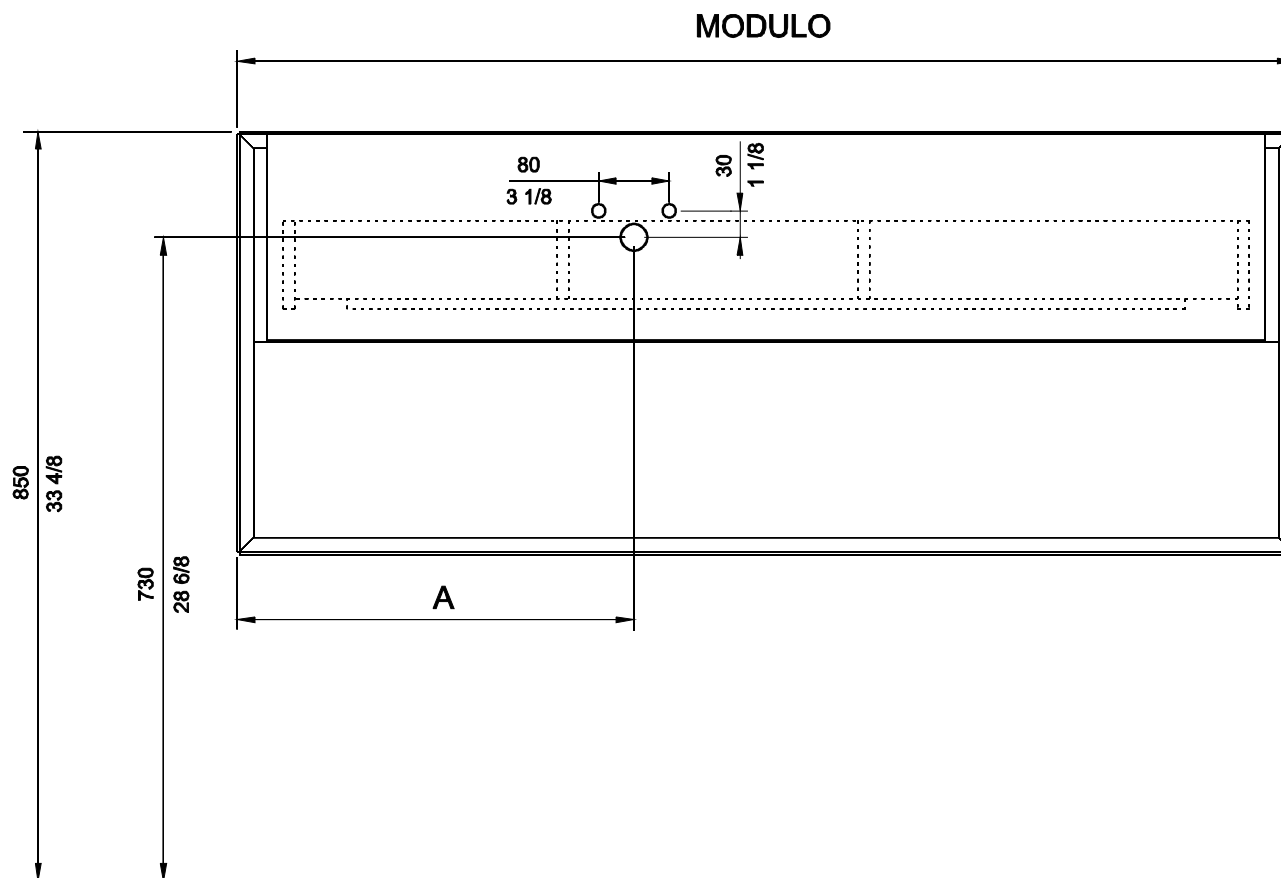


LAVABO	ONES / CORFA			ONES DOBLE
MÓDULO	600	900	1200	1200
COTA A	300	450	450	600



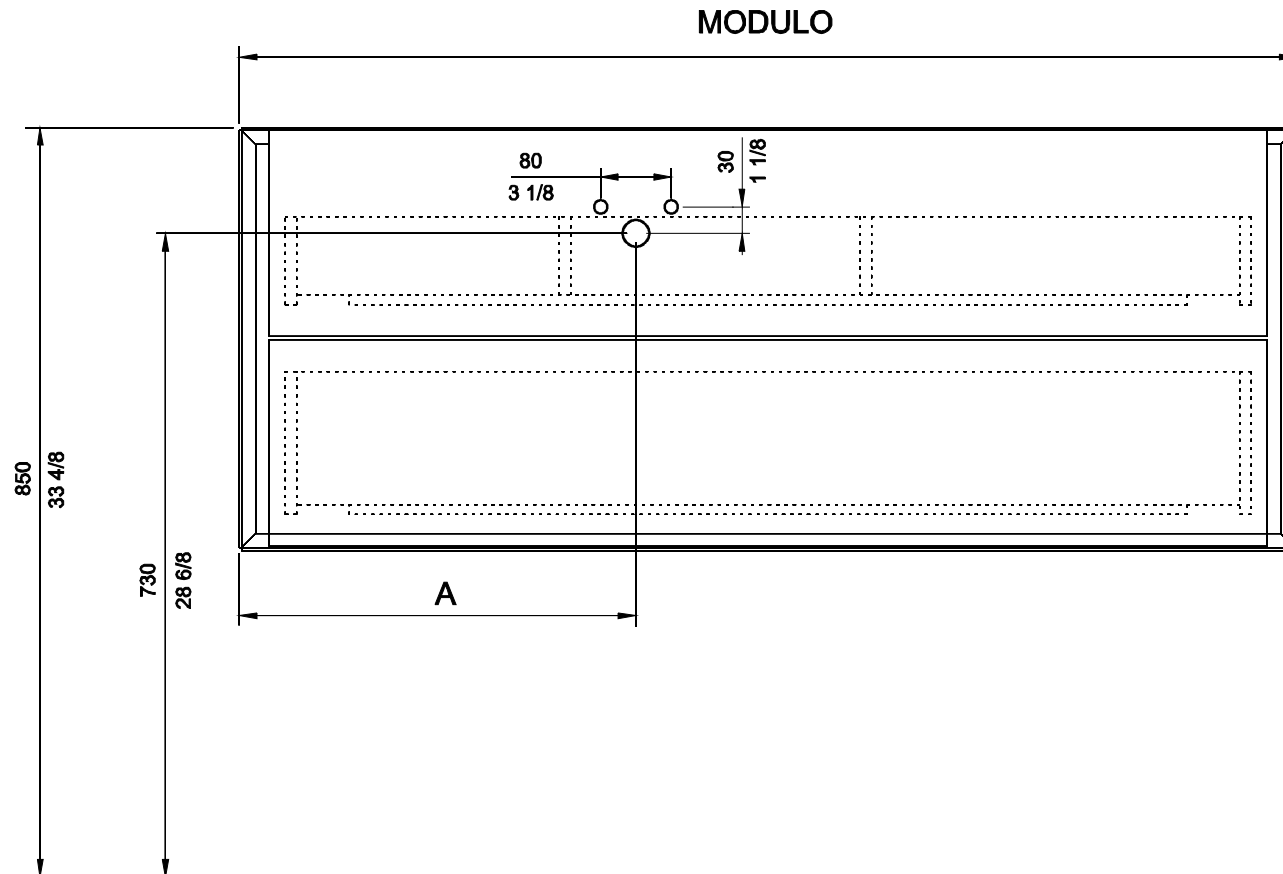
mm
inch

LAVABO	ONES / CORFA			ONES DOBLE
MÓDULO	600	900	1200	1200
COTA A	300	450	450	600



mm
inch

LAVABO	ONES / CORFA			ONES DOBLE
MÓDULO	600	900	1200	1200
COTA A	300	450	450	600

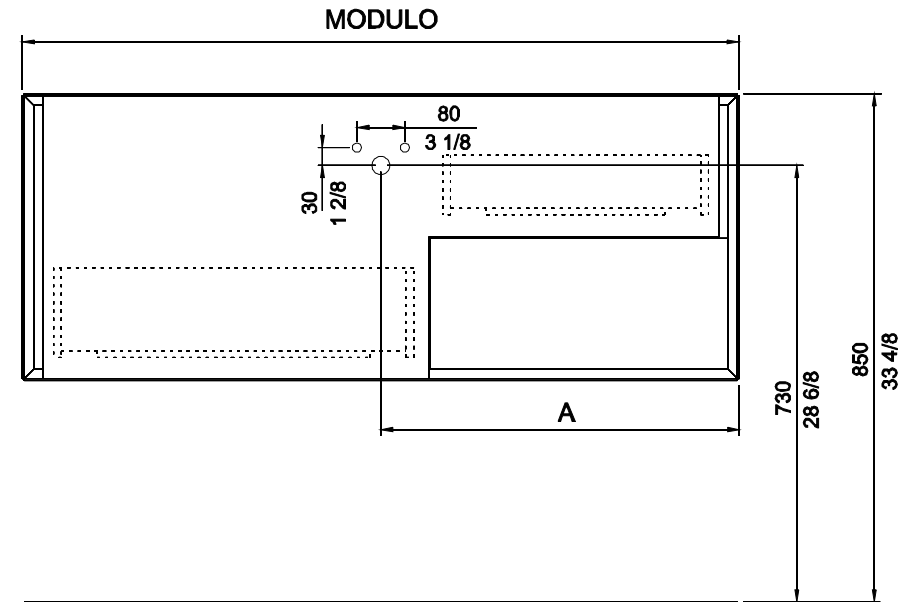
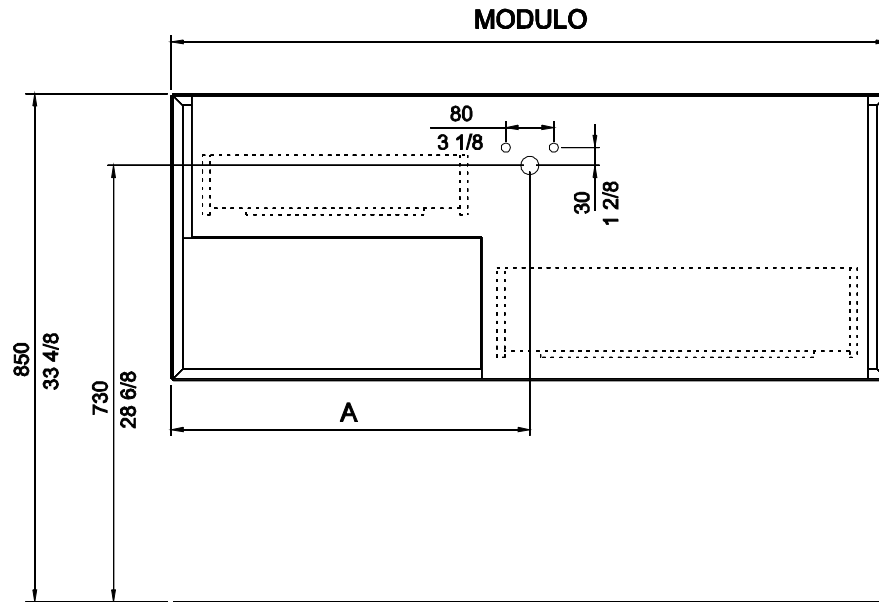


mm
inch

LAVABO	CORFA / ONES / ONES DOBLE	
MÓDULO	900	1200
COTA A	450	600

SX

DX



mm
inch