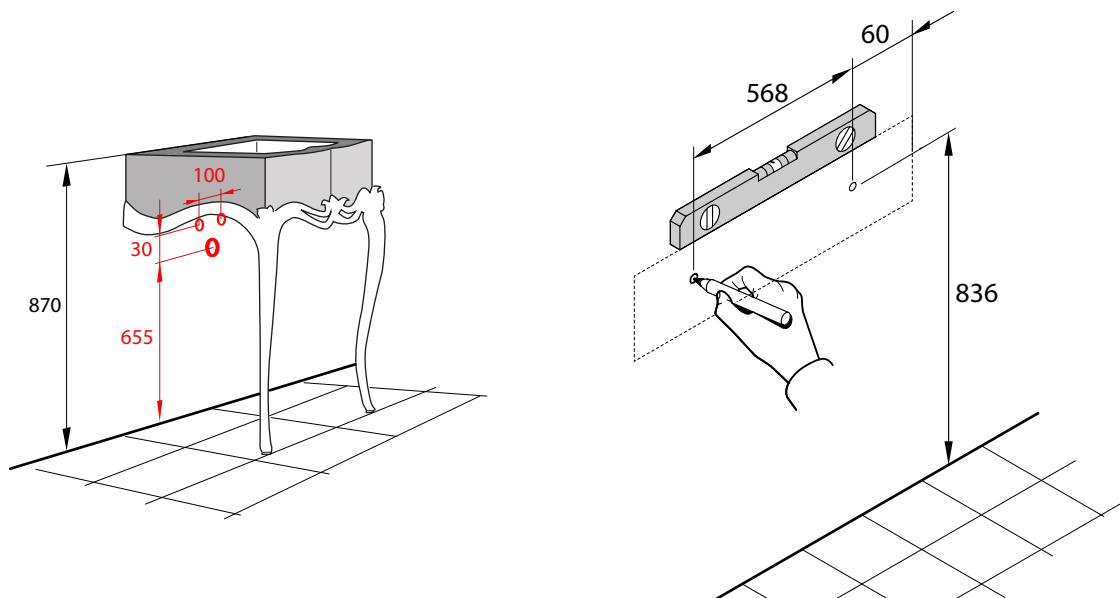
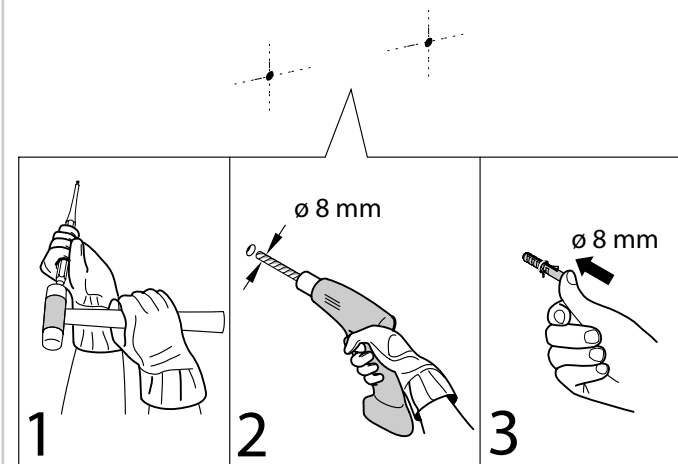


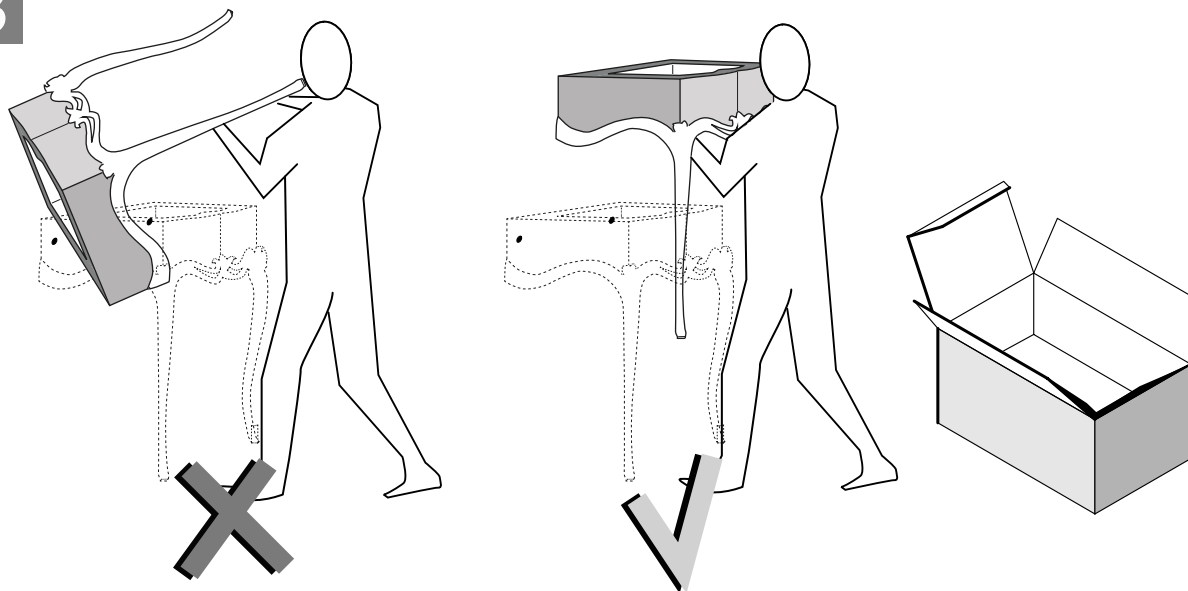
1



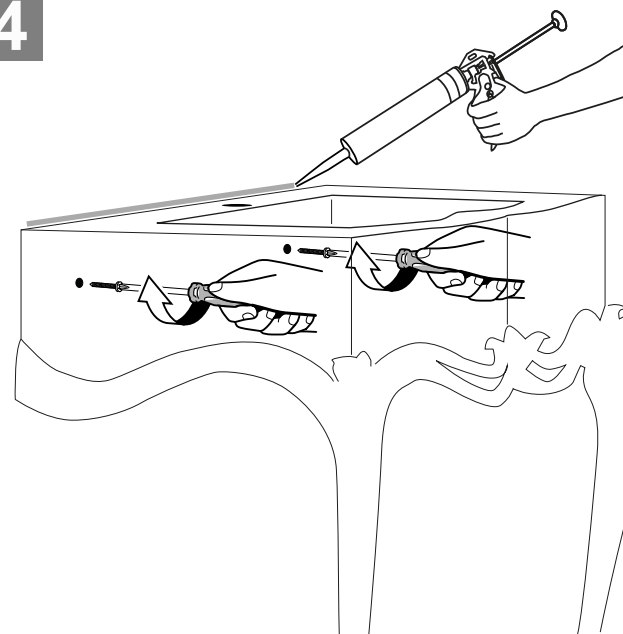
2



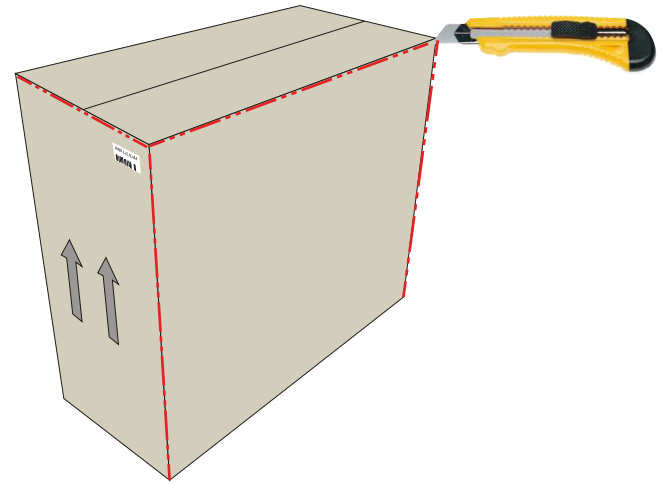
3



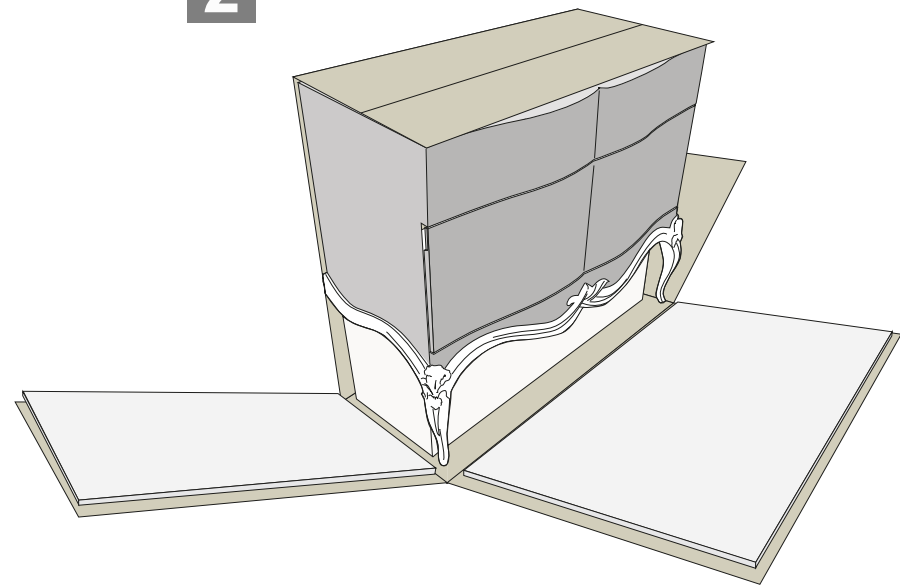
4



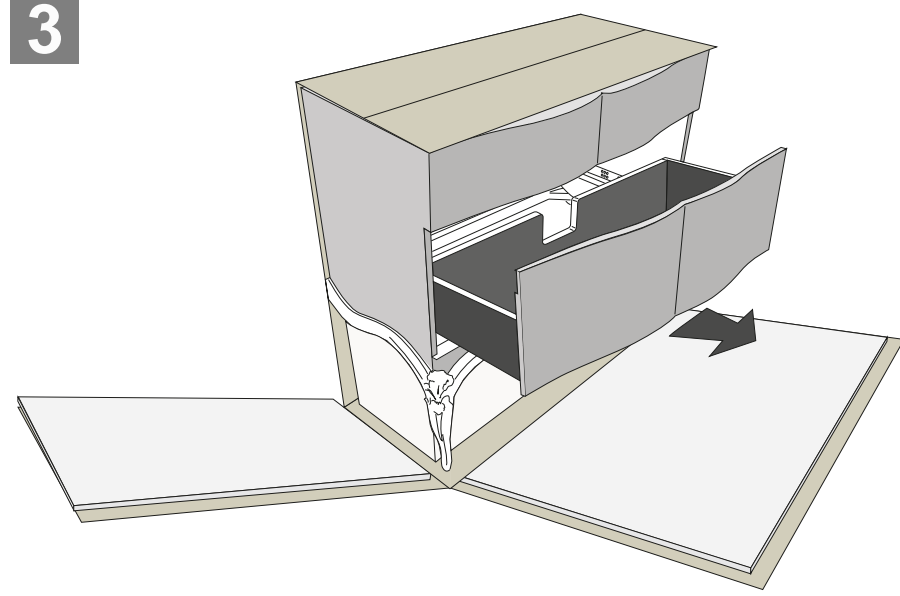
**1**

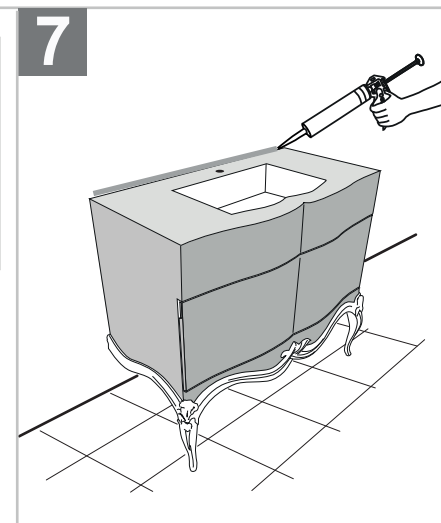
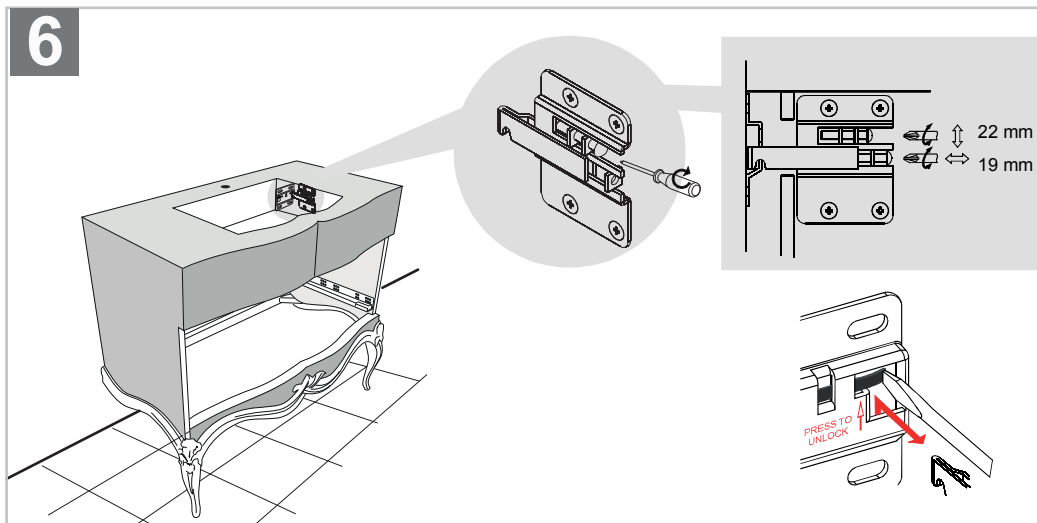
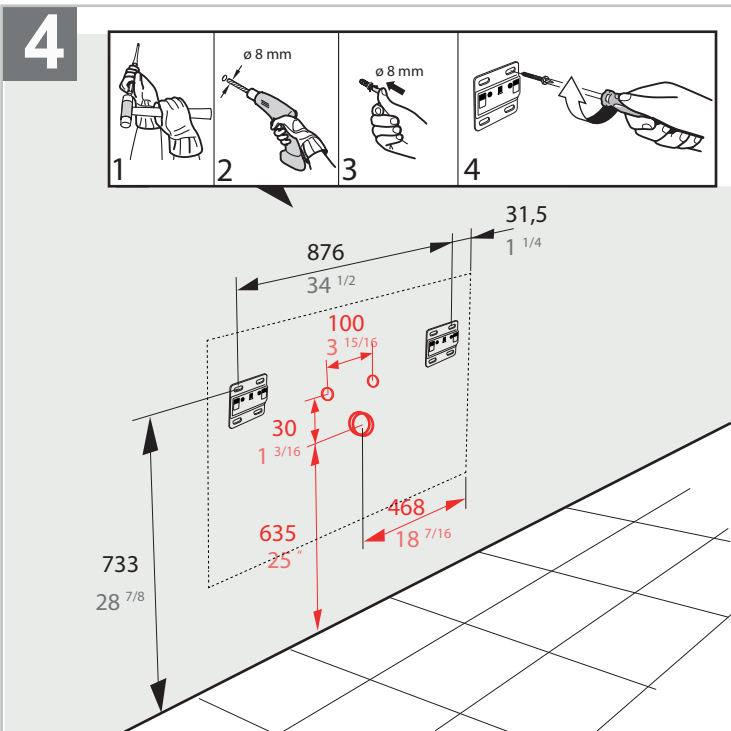


**2**



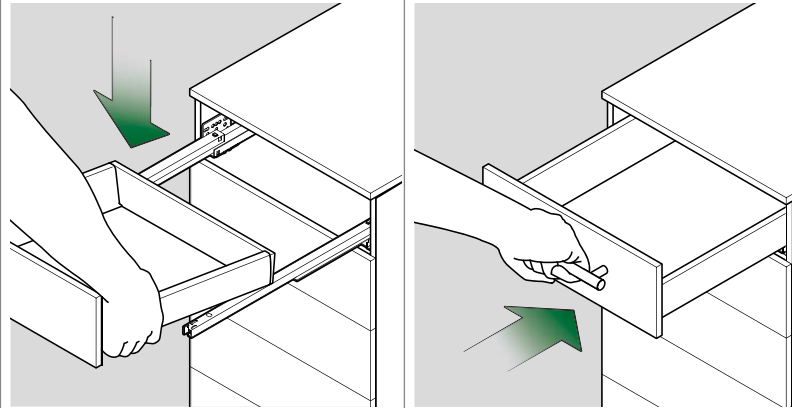
**3**





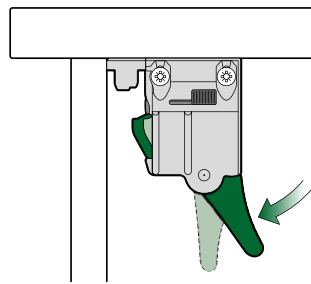
**Inserting the drawer**

Place the drawer on the extended Dynamic NT slides and push in until it audibly engages.



**Removing the drawer**

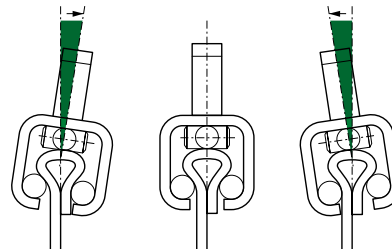
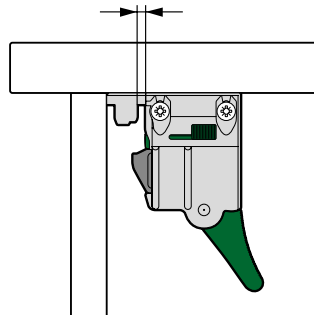
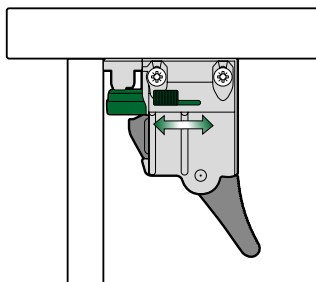
Pull the drawer out, move the lever of the locking device and lift the drawer from the slides.



**ADJUSTMENT**

**Height adjustment +2.5 mm**

**Tolerance compensation ±1.5 mm**



**NOTES**

Fastening the cabinet rails:

The screw recommendations are guide values only.

Assemblers must ensure that the substrate material is thick enough.