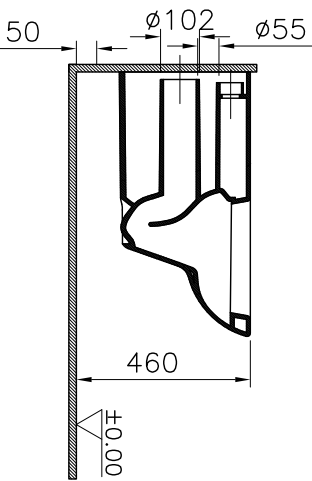
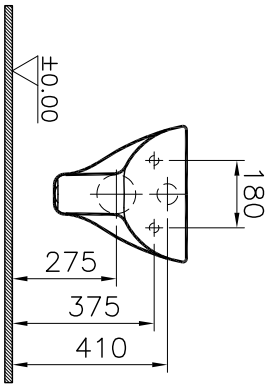
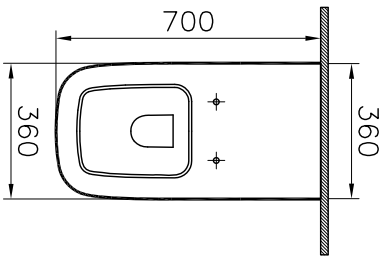


Theoretic Mass(kg)	Revision
Surface Area(dm ²)	A4

Thread	Hole	Shaft
--------	------	-------



Item	Quantity	Special needs Wall-hung WC pan	5298-0075	Ceramic	Ceramic	Material Class
1	1	Part Name	Drawing No	Material	Ceramic	Material Class
		Series				
		S20				

This drawing can only be used for the intended purpose. Unauthorised copying is strictly prohibited.

Drawn By	Controlled By	Approved By	Date	Drawing No	Scale
G.SULZER	H.TURKOZ	S.YEDAT SARIKOL	22.01.2011	5298	1/20

RS	Description	Date	NAME
			GOKHAN

